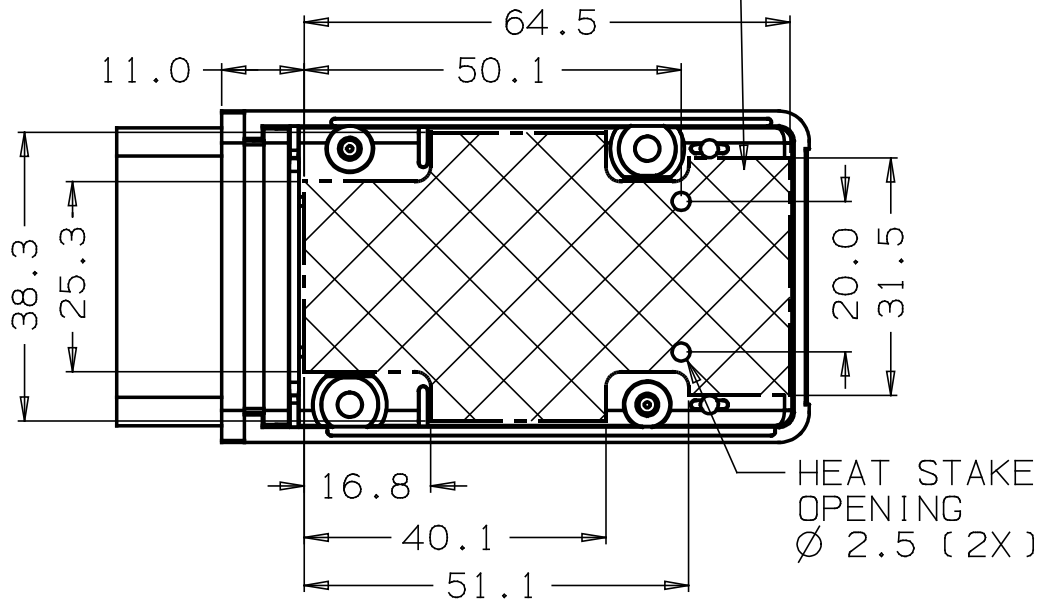
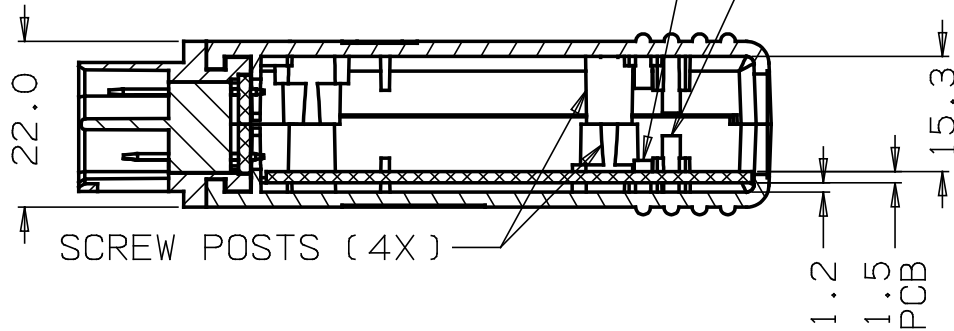


VIEW WITHOUT TOP SHELL
SUGGESTED CIRCUIT BOARD AREA

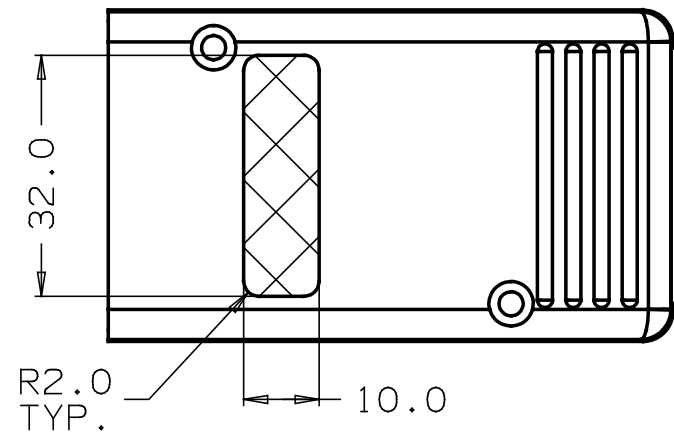


SECTION THRU C.L.
REDUNDANT HEAT STAKE POST (2X)
USED HEAT STAKE POST (2X)

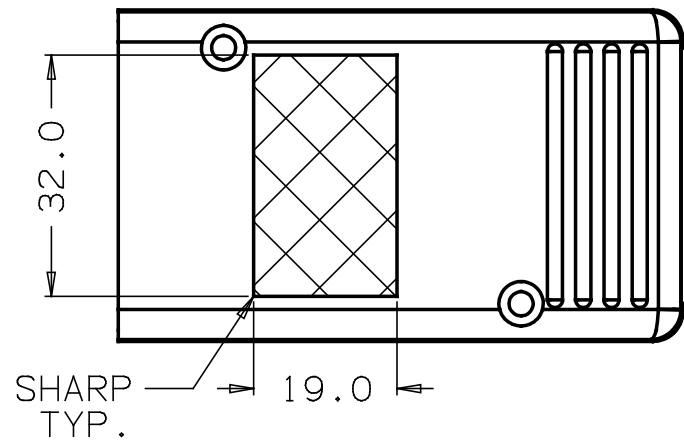


LOGO/DECAL
/ENGRAVING INFO.
RECESSES = .25 DEEP.

FRONT SHELL



BACK SHELL



UNIT	MM
SCALE	N/A
FULL SIZE	
PROJECTION	1ST
PDF	

AC³ www.ac3.ca
Automotive Connectors
and Cabling Corp.

TOLERANCE UNLESS OTHERWISE SPECIFIED
x = ±1 ANGLES = ±0.5°
.x = ±.2
.xx = ±.05

CAD FILE: DETAILS-1
CAD FILE: CON ASSY 2/SKETCHES

TITLE
MULTI-CONNECTOR SHELL DETAILS
DATE: REV: 00000 A
COMPONENT
PCB & RECESS DETAILS

DRAWN: RON G.
CHECKED:
APPROVED:
DATE: FEB/02/04
SHEET: