

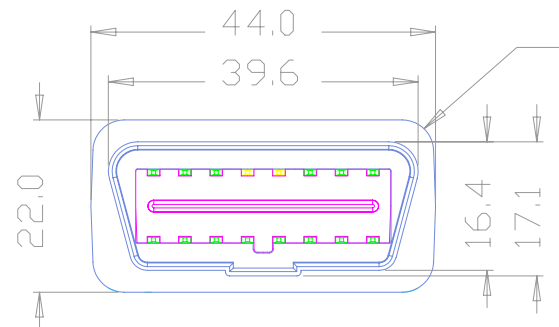
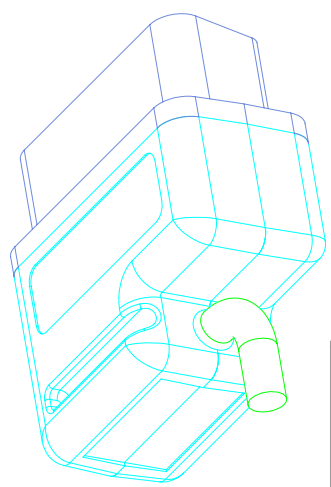
1

2

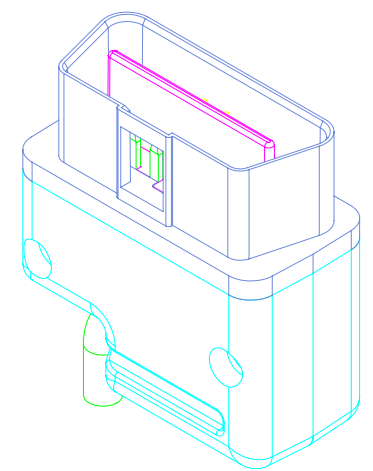
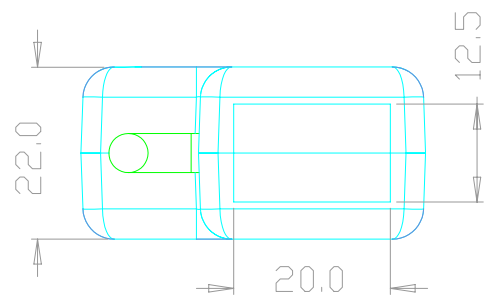
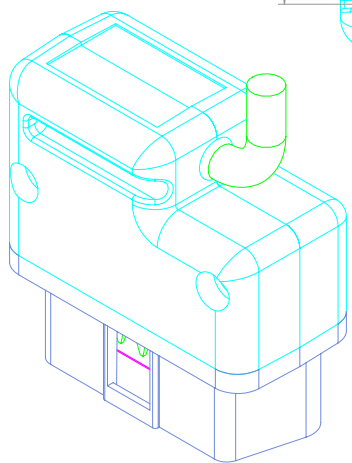
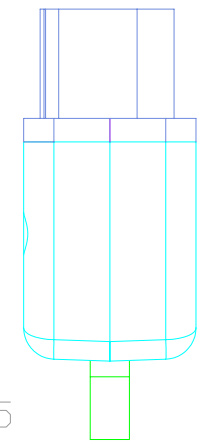
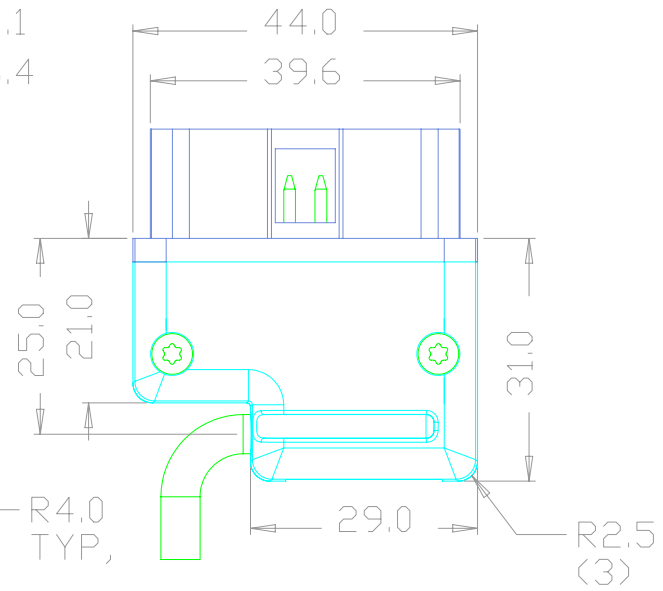
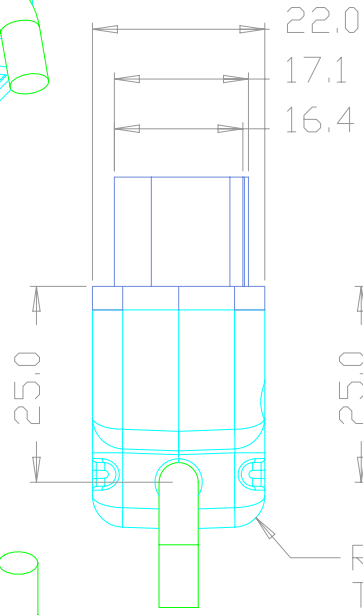
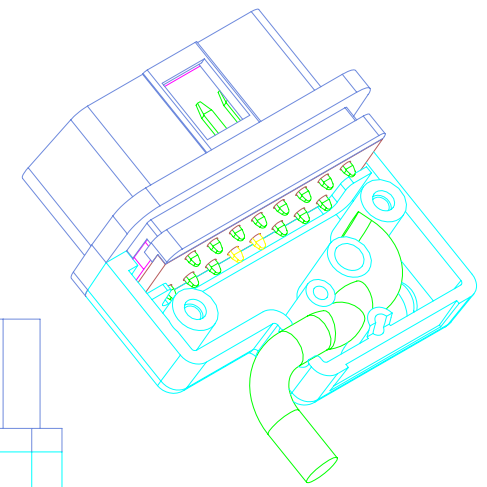
3

B

A



DETAILED END VIEW ON  
"SAE J1962 CONNECTOR  
TYPE A" DRAWING.



UNIT MM	AC <sup>3</sup> <a href="http://www.ac3.com">www.ac3.com</a> Automotive Connectors and Cabling Corp.	TOLERANCE UNLESS OTHERWISE SPECIFIED	TITLE SAE J1962 ASSEMBLY "STUBBY HOUSING"	DRAWN RON G.
SCALE FULL SIZE		x = ±1 .x = ±.2 .xx = ±.05		ANGLES = ±0.5° DWG. NO. REVISION A
PROJECTION FIRST ANGLE	CUSTOMER AC <sup>3</sup>	CAD DWG. SIZE assy	COMPONENT J1962 3000 SERIES	DATE NOV/22/04
PDF	CAD FILE STUBBY_HOUSING/assy_dwg			SHEET