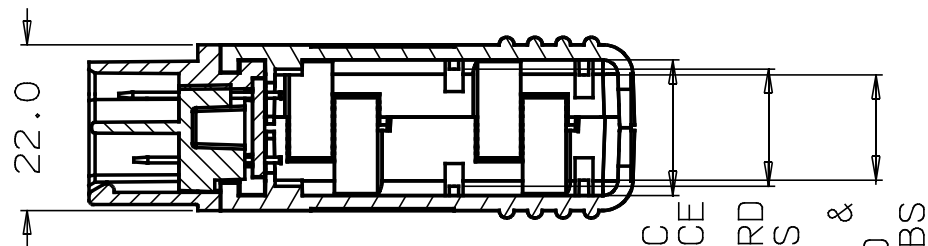
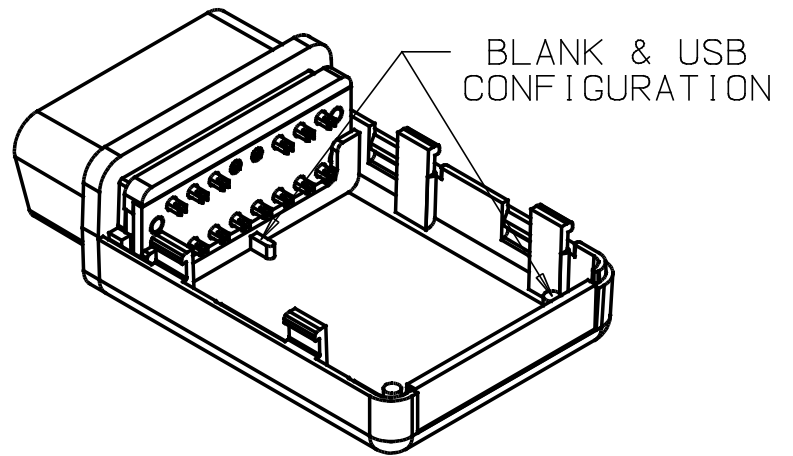
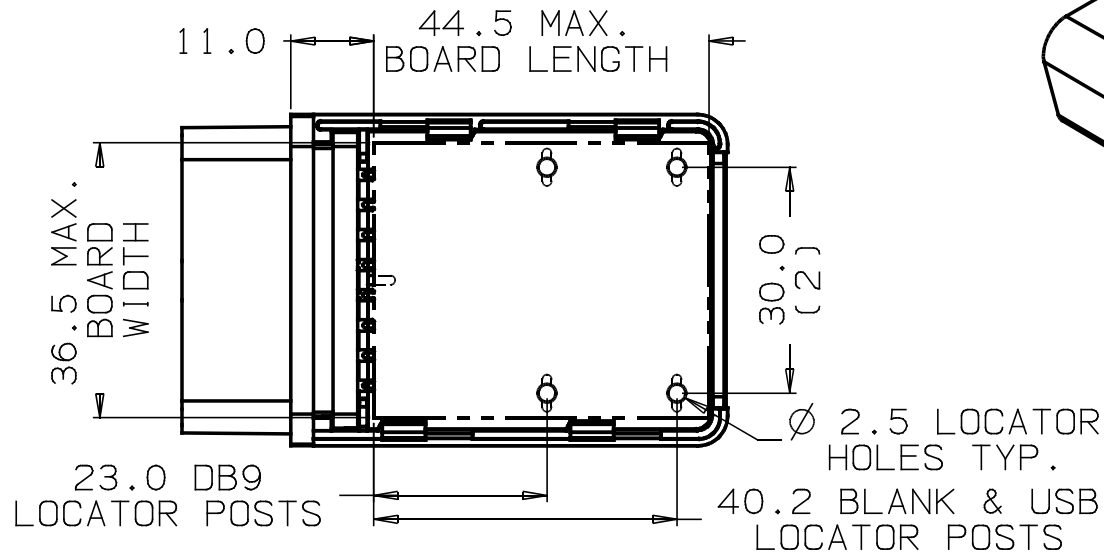
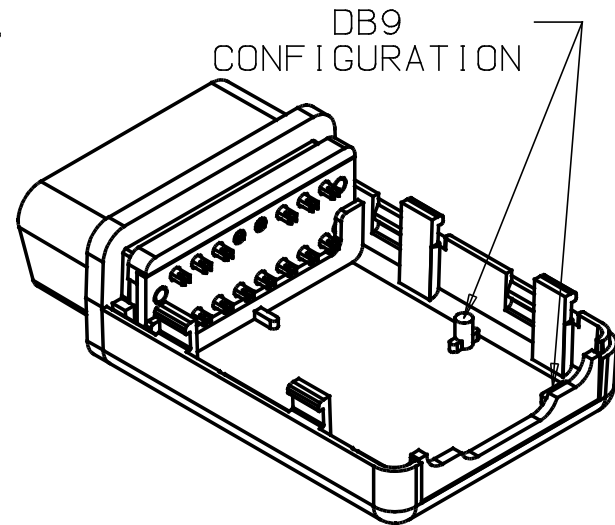


VIEW WITHOUT TOP SHELL
SUGGESTED CIRCUIT BOARD AREA



SECTION THRU C.L.
INTERIOR SPACE INFO.



UNIT	MM
SCALE	N/A
FULL SIZE	
PROJECTION	1ST
PDF	

AC³ www.ac3.ca
Automotive Connectors
and Cabling Corp.

TOLERANCES UNLESS OTHERWISE SPECIFIED
x = ±1 ANGLES = ±0.5°
.x = ±.2
.xx = ±.05

CAD FILE: shell_details
CAD FILE: Clip_Shells/6000 Series/web dwgs

TITLE
MULTI-CONNECTOR SHELL DETAILS

DATE: REV: 2005
COMPONENT
J1962 6000 SERIES

DRAWN	RON G.
CHECKED	
APPROVED	
DATE	SEPT/22/05
SHEET	