



Sensolutions Inc.

Diagnostic Connectors, Cabling, and Interface Adapters for Vehicles.

250031 Mountain View Trail
Calgary, AB, T3Z 3S3 CANADA

Tel +1 403.202.0238
Fax +1 403.202.2588

MONO-USB Specifications: Rev 1.0

The MONO-USB is a ISO9141 to USB interface adapter, and will work with most diagnostic or tuning PC software that requires a virtual com port connection. Reprogramming the USB controller, will allow the host software to use direct port USB drivers. The advantage of this mode is the reduced latency inherent in virtual com port configuration.

Functionally, the MONO-USB supports single K line diagnostic communications with an L line wake up sequence. Designed as a pass-through type, the K line receive and K line transmit are linked to the USB "Tx and Rx" lines respectively. The L line is controlled by the USB "RTS" line. See Figure 1 for a diagram.

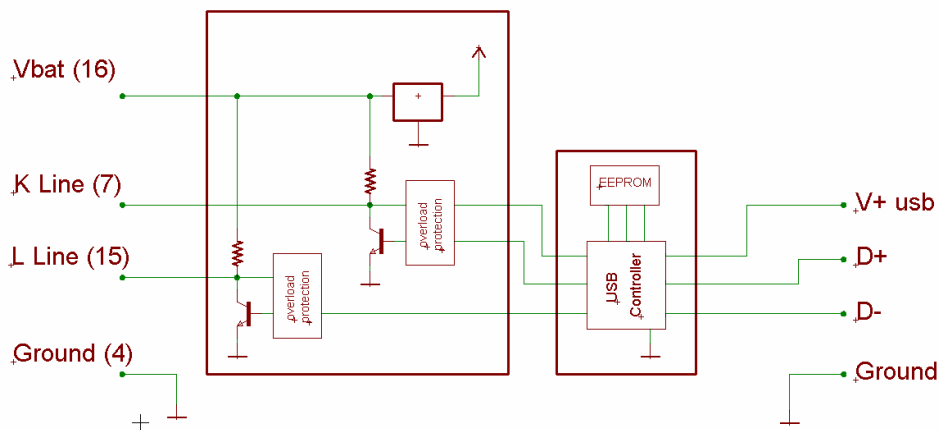


Figure 1: MONO-COM Functional Diagram

The MONO-USB design employs SMT components, and where applicable uses an automotive grade. The K and L line drivers are intrinsically protected from overload: they can sustain K line shorts to $V_{battery}$.

The MONO-USB enclosure is integrated with the OBDII connector and terminates in a serial cable. (See picture below) The OBDII connector is designed to the SAE J1962 specifications. Special attention is paid to proper fit in European Vehicles - Audi, BMW, Seat, Skoda, Volvo, Volkswagen.

A large bicolor LED on the top of the housing indicates power and K line status.

The MONO-USB adapter comes with a 1 year warrantee against manufactures defects.



Specifications Summary

Model Number	MONO-USB	
Revision	1.0	
Host Interface	USB	
Operating Voltage	8-16	Volts
Current Draw	25	mA
Operating Temperature	0 - 60 32 - 140	°C °F
Himidity Level	Non-Condensing	
Data Rate	115.2	kbps
ESD Protection	Yes	
Interface Type	Single K Line diagnostic adapter with L line wake- up control	
K line Protection	Thermally Protected Driver	
K line state indicator	Green* = High Red = Low	
OBDII Connector	Correct fitting connector with integrated enclosure made of durable engineering plastic	
Warranty	12	months

* default color when idle

USB Drivers:

For virtual com port drivers:

www.sensolutions.com/support/drivers/MONO-USB_drivers.zip