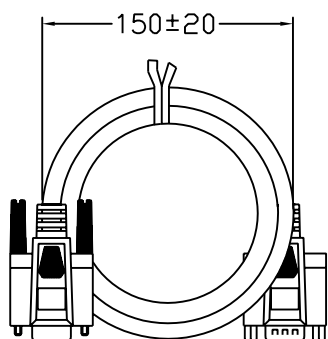


SEC:A-A

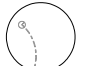


| DB 9F | COLOR  | DB 9M |
|-------|--------|-------|
| 1     | BLACK  | 1     |
| 2     | BROWN  | 2     |
| 3     | RED    | 3     |
| 4     | ORANGE | 4     |
| 5     | YELLOW | 5     |
| 6     | GREEN  | 6     |
| 7     | BLUE   | 7     |
| 8     | WHITE  | 8     |
| 9     | GRAY   | 9     |
| SHELL | SHIELD | SHELL |

| Part Number               | L       |
|---------------------------|---------|
| 02-CA-6SP0-24-9F9M-500-00 | 5000±30 |
| 02-CA-6SP0-24-9F9M-750-00 | 7500±50 |

| NO. | DESCRIPTION   | Q'TY |
|-----|---|------|
| 6   | METAL SHELL BE SOLDERED AROUND 360°                                     |      |
| 5   | MOLDING PVC COLOR:BLACK   |      |
| 4   | DB 9P MALE+NUT 4-40# 6.0mm LONG(BLACK HOUSING)                          | 1    |
| 3   | SCREW:4-40 AD040*330TNOPO C:BLACK                                       | 2    |
| 2   | CABLE:UL 2464 7/0.20T*9C+7/0.20T+AL<br>OD:ø6.0±0.1 C:BLACK(PRINT WHITE) | 1    |
| 1   | DB 9P FEMALE(BLACK HOUSING)   | 1    |

|      |       |          |          |  |                           |     |
|------|-------|----------|----------|--|---------------------------|-----|
| APP. |       | UNITS    | mm       |  <b>SENSOLUTIONS</b><br><small>250031 Mountain View Trail<br/>         Calgary, AB, T3Z 3S3<br/>         CANADA</small> |                           |     |
| CHK. | DATE  | 04.02.28 | PART No. |  | 02-CA-6SP0-24-9F9M-XX0-XX |     |
| CHK. | SHEET | 1/1      |          |  |                           |     |
| CHK. | DRAW. |          | DRG No.  | S041-009   | VER                       | 1.2 |