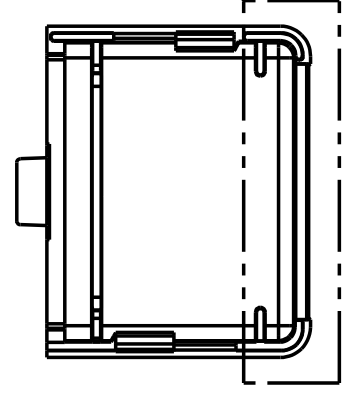
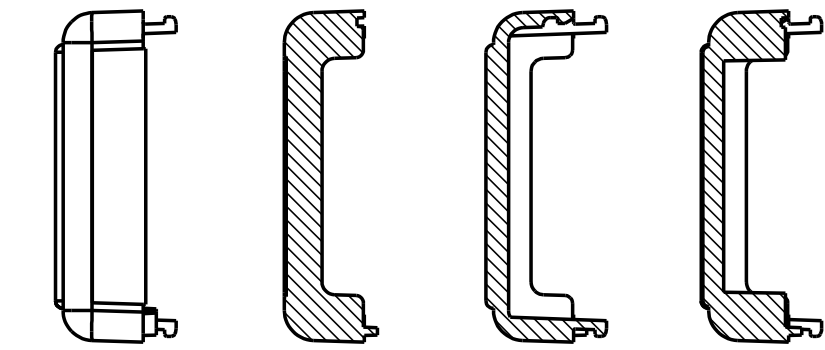
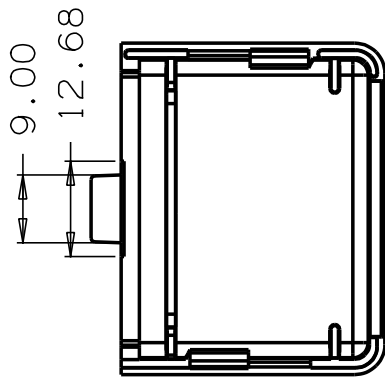
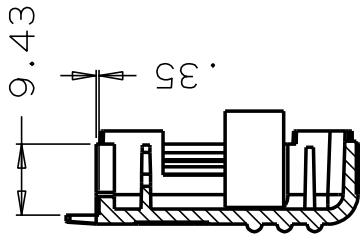
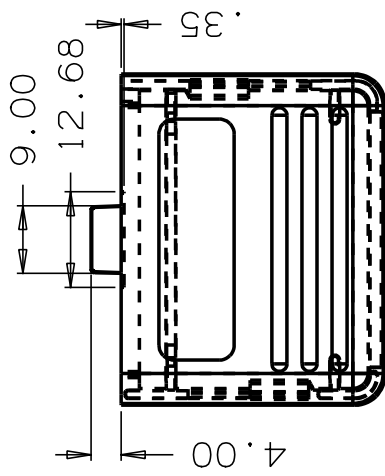


3

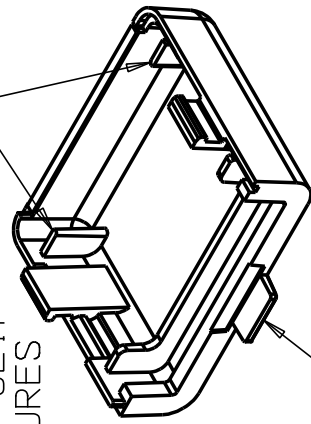
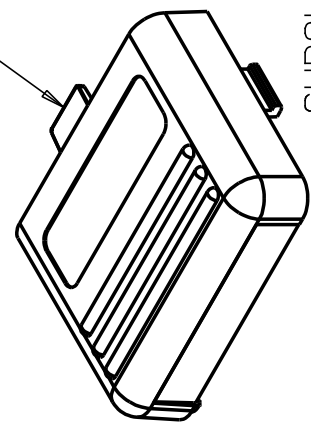
2



LOWER END OF CORE TO BE INSERTED TO ALLOW FOR OTHER LOCATIONS OF STAND-OFF RIBS IN THE FUTURE

SHROUD CLIP FEATURES

STAND-OFF RIBS



TOP SHELL IS IDENTICAL TO BOTTOM SHELL WITH THE ADDITION OF THE SHROUD CLIP FEATURES

UNIT	MM	DESIGN	RON G.
SCALE	N/A	CHKD	
FULL SIZE		APPROVD	
PRODUCTION	PDF	DATE	AUG/13/09
AC ³ www.ac3.ca Automotive Connectors and Cabling Corp. Customer AC ³		TITLE	
TOLERANCE UNLESS OTHERWISE SPECIFIED		8000 SERIES ENCLOSURE	
X = ±1		COMPONENT	
.XX = ±.2		TOP SHELL	
.XXX = ±.05		REVISION A	
CAD FILE: SS 8000 shell sketches		SHEET	