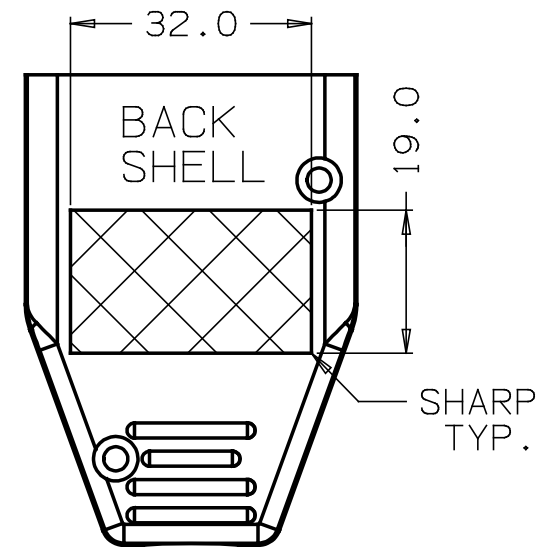
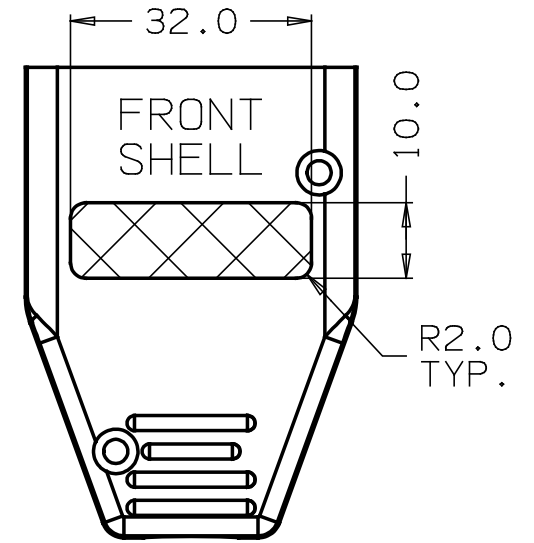


LOGO/DECAL
/ENGRAVING INFO.
RECESSES = .25 DEEP.



UNIT	MM
SCALE	N/A
PROJECTION	1ST ANGLE
SIZE	FULL SIZE
PDF	

AC³ www.ac3.ca
Automotive Connectors
and Cabling Corp.

TOLERANCE UNLESS OTHERWISE SPECIFIED	ANGLES = ±0.5°
x = ±1	
.x = ±.2	
.xx = ±.05	
CAD FILE	Layout 2
CAD FILE	CON ASSY/SKETCHES

TITLE	STRAIN RELIEF SHELL DETAILS
DATE REV.	
REV/2004	A
COMPONENT	J1962 1000 SERIES

DRAWN	RON G.
CHECKED	
APPROVED	
DATE	DEC/18/03
SHEET	